

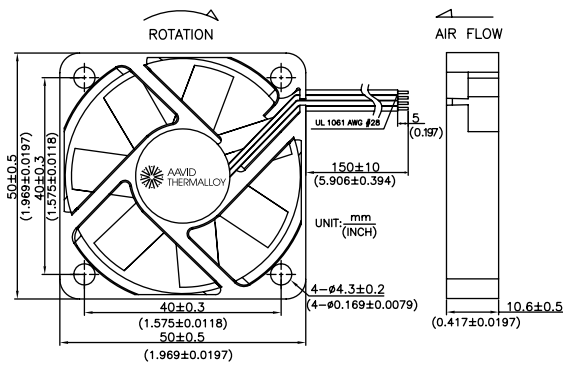


Advance Series (PA) 50mm x 50mm x 10mm

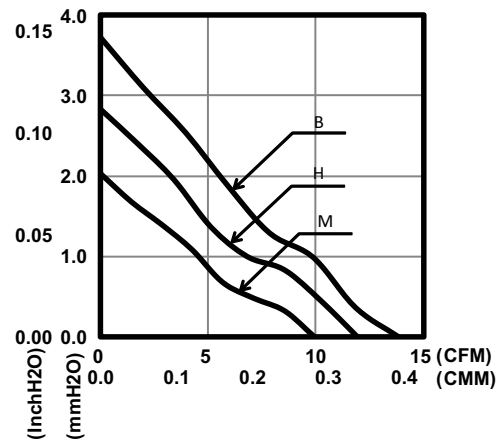


- » Bearing Type: FLB, Sleeve, Ball Bearing
- » Function Type (Optional): FG Signal
- » Protection (Optional) :
Auto Restart Protection
- » Lead Wire:
UL 1061 AWG #28 or Equivalent
Red Wire: Positive (+)
Black Wire: Negative (-)
Yellow Wire: FG Signal

DIMENSIONS DRAWING



PERFORMANCE CURVES



SPECIFICATION



Model	Function Type	Rated Voltage	Operating Voltage	Rated Current	Input Current	Input Power	Rated Speed	Air Flow		Air Pressure		Noise
		VDC	VDC	Amp	Amp	Watt		RPM	CMM	CFM	mmH2O	
PAAD05010SM	0000/F000	5	4~5.75	0.24	0.11	0.55	4000	0.28	9.93	2.03	0.08	24.0
PAAD05010SH		5	4~5.75	0.30	0.18	0.90	4700	0.34	11.93	2.83	0.11	28.0
PAAD15010SM	0000/F000 P000/PF00	12	6~13.8	0.11	0.08	0.96	4000	0.28	9.93	2.03	0.08	24.0
PAAD15010SH		12	6~13.8	0.14	0.10	1.20	4700	0.34	11.93	2.83	0.11	28.0
PAAD15010SB		12	6~13.8	0.21	0.12	1.44	5400	0.39	13.85	3.72	0.15	31.5
PAAD05010BM	0000/F000	5	4~5.75	0.24	0.11	0.55	4000	0.28	9.93	2.03	0.08	23.5
PAAD05010BH		5	4~5.75	0.30	0.18	0.90	4700	0.34	11.93	2.83	0.11	28.5
PAAD15010BM	0000/F000 P000/PF00	12	6~13.8	0.11	0.08	0.96	4000	0.28	9.93	2.03	0.08	23.5
PAAD15010BH		12	6~13.8	0.14	0.10	1.20	4700	0.34	11.93	2.83	0.11	28.5
PAAD15010BB		12	6~13.8	0.21	0.12	1.44	5400	0.39	13.85	3.72	0.15	32.5

* Specifications are subject to change without notice