

Heat Sinks for Half Brick DC/DC Converters

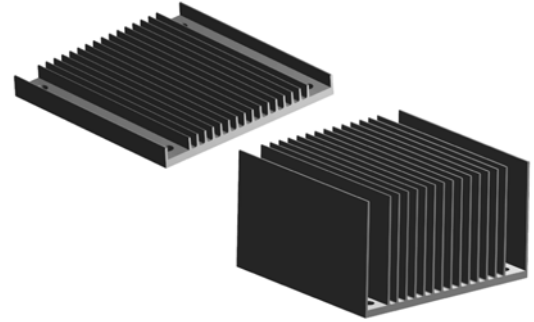


Heat Sinks for Half Brick DC/DC Converters

DC/DC converter heat sinks are designed for engineers seeking a complete off-the-shelf cooling solution for industry standard half brick converters. Unlike other converter heat sinks, Aavid designs feature thin fin geometry which increases thermal performance and reduces pressure drop. In addition, all heat sinks are ready for mounting with interface material pre-applied which streamlines procurement and assembly.

Ordering Information

Part Number	Fin Configuration	"H" height	Figure
241202B91200G	Lengthwise	6.1 (0.24)	A
241204B91200G	Lengthwise	11.4 (0.45)	A
241214B91200G	Lengthwise	35.6 (1.40)	A
241202B92200G	Crosswise	6.1 (0.24)	B
241204B92200G	Crosswise	11.4 (0.45)	B
241214B92200G	Crosswise	35.6 (1.40)	B



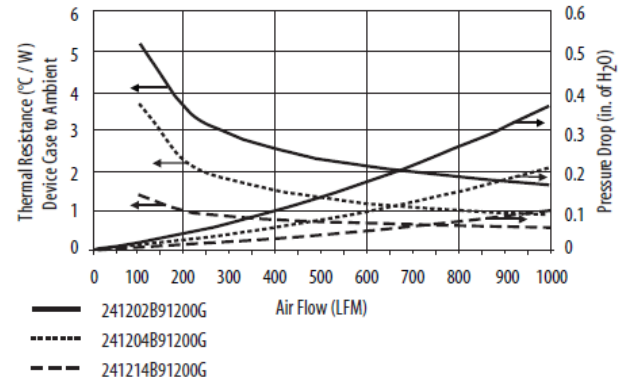
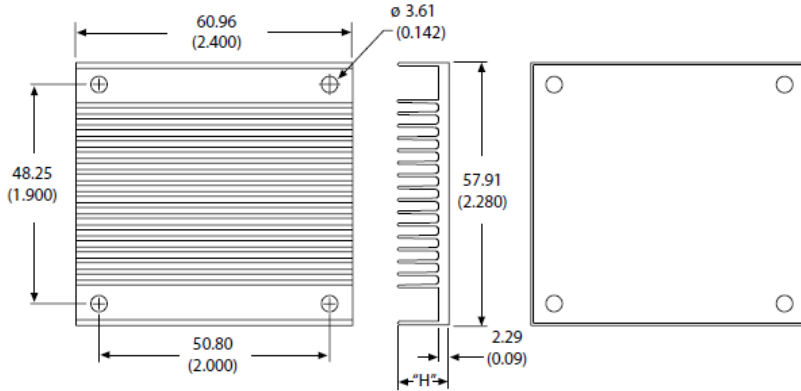
DETAILS

Application Need	Features and Benefits
<i>Maximum Performance</i>	- High fin density has more surface area for better heat transfer in less space.
<i>Low Pressure Drop</i>	- Thin fin geometry improves system airflow and reduces fan costs.
<i>Fits industry standard Half Brick modules</i>	- Hole pattern fits 1/2 brick DC/DC Converters from top manufacturers such as Delta, Emerson and Tyco.
<i>Optimal configuration</i>	- Lengthwise and crosswise fin orientations in three fin heights to allow a precise match to the application.
<i>Simple assembly</i>	- High performance QPad3™ interface pad saves time and optional hardware kit provides the complete solution under a single part number.

Heat Sinks for Half Brick DC/DC Converters

Lengthwise AirFlow

Figure A



Crosswise AirFlow

Figure B

