

Board Level Cooling – Square Basket 5500



BOARD LEVEL COOLING – Square Basket 5500

Square Basket 5500 is a series of square basket board level heat sinks designed to cool TO-3, TO-220, and TO-220-single gauge devices. Representative image only.

ORDERING INFORMATION

Part Number	Device Type
552703B00000G	TO-3
552844B00000G	TO-220, TO-220-single gauge (0.020")
553003B00000G	TO-3



HEAT SINK DETAILS

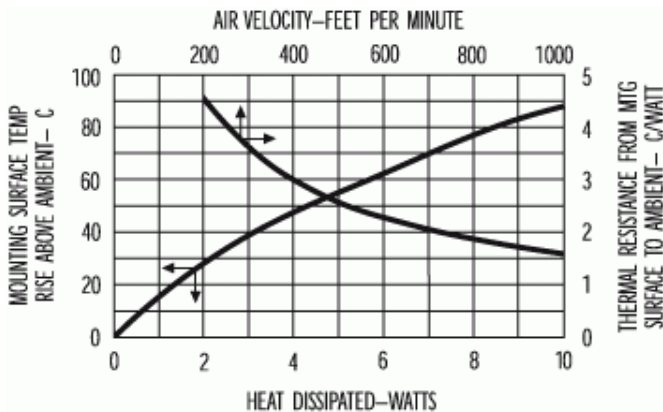
Property	Details
Material	Aluminum
Finishing	Black Anodize
Device Attachment Options	Requires Mounting Kit
Thermal Interface Material	-

Property	Details
Heat Sink Width (mm)	45.21
Heat Sink Length (mm)	45.21
Heat Sink Height (mm)	See "A" Dim below
Heat Sink Mounting Direction	Horizontal

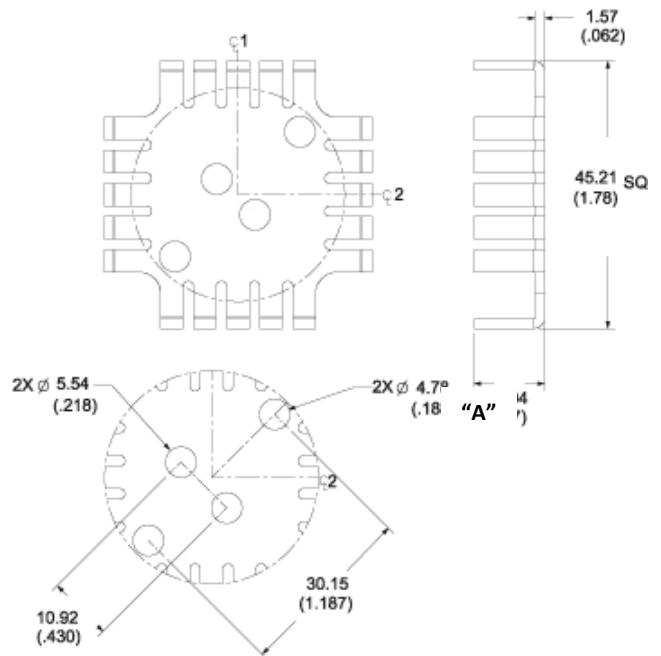
MECHANICAL & PERFORMANCE

Drawing dimensions are shown in mm, (in)

Part Number	"A" Dim
552703B00000G	11.94
552844B00000G	18.29
553003B00000G	30.99

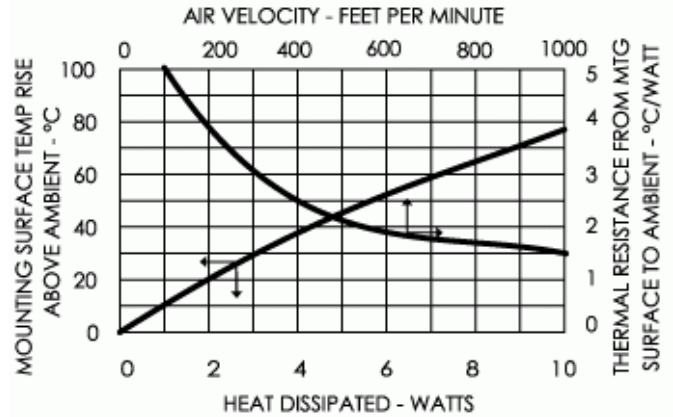
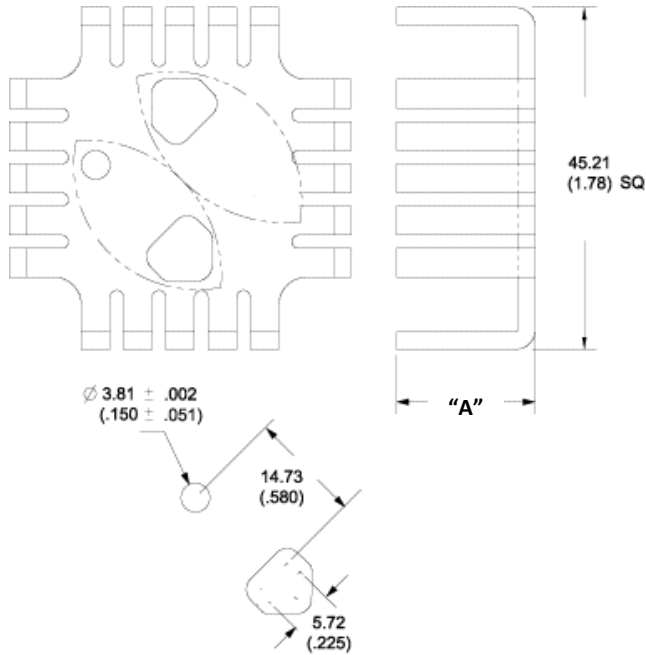


Part Number: 552703B00000G



Board Level Cooling – Square Basket 5500

Part Number: 552844B00000G



Part Number: 553003B00000G

